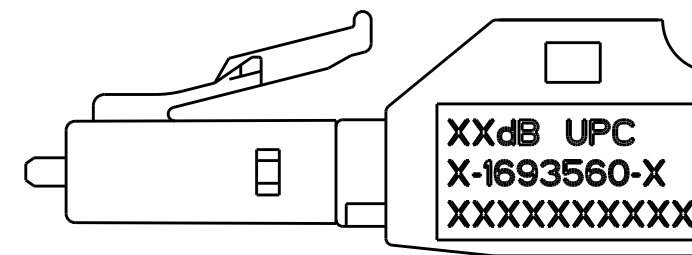
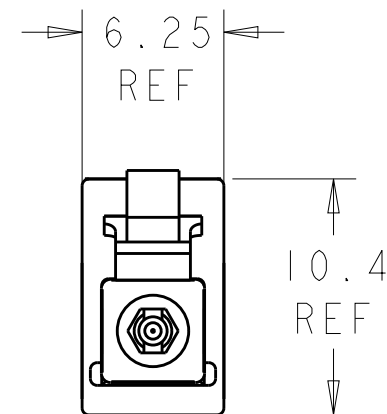
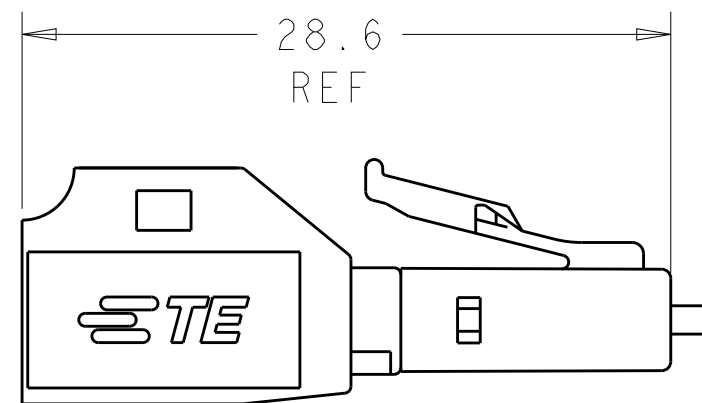
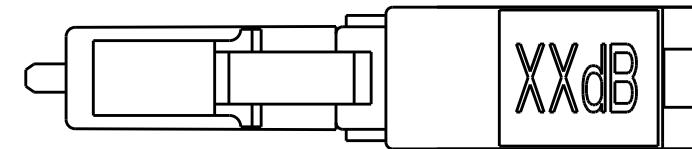
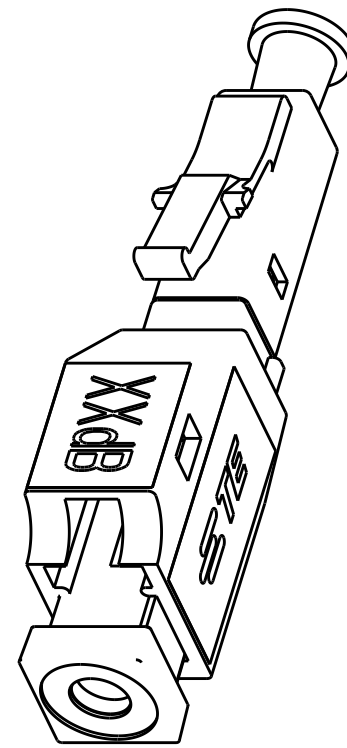
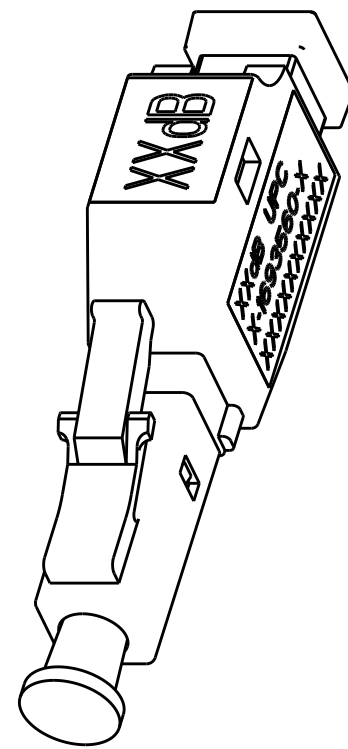


THIS DRAWING IS UNPUBLISHED. RELEASED FOR PUBLICATION 20
 © COPYRIGHT 20 ALL RIGHTS RESERVED.

LOC	DIST	REVISIONS					
		P	LTR	DESCRIPTION	DATE	DWN	APVD
HG	-		D	REV PER ECR-10-001039	20JAN2010	JZ	RZ
			E	REV PER ECR-11-015981	05SEP2011	LL	CT
			F	UPDATE OPERATING WAVELENGTH 1260-1625nm	21AUG2012	PL	RZ

PERFORMANCE REQUIREMENTS:
 OPERATING WAVELENGTH: 1260-1625nm
 REFLECTANCE: AVG. -55dB
 OPERATING TEMPERATURE: -40°C TO +85°C
 ATTENUATION TOLERANCE, AMBIENT:
 FOR 0 dB ATTENUATORS: +0.5dB MAX
 FOR ATTENUATORS < 5dB: ±0.5dB
 FOR ATTENUATORS ≥ 5dB: ±10% OF NOMINAL ATTENUATION VALUE
 MEASURED WITH REFERENCE QUALITY LAUNCH LEADS:
 - REFLECTANCE: ≤ -60dB
 - FIBER CORE ECCENTRICITY < 0.3um



20	2-1693560-0
19	1-1693560-9
18	1-1693560-8
17	1-1693560-7
16	1-1693560-6
15	1-1693560-5
14	1-1693560-4
13	1-1693560-3
12	1-1693560-2
11	1-1693560-1
10	1-1693560-0
9	1693560-9
8	1693560-8
7	1693560-7
6	1693560-6
5	1693560-5
4	1693560-4
3	1693560-3
2	1693560-2
1	1693560-1
0	1-1693560-0
NOMINAL ATTENUATION VALUE (dB)	PART NUMBER

⚠ OBSOLETE

NOTES:
 ⚠ OBSOLETE PARTS: OBSOLETE CIS STREAMLINING PER D.RENAUD/D.SINISI.

THIS DRAWING IS A CONTROLLED DOCUMENT.		DWN E. MCCORMICK 01NOV2006	TE Connectivity	
DIMENSIONS: mm		CHK E. HOPKINS 01NOV2006		
TOLERANCES UNLESS OTHERWISE SPECIFIED:		APVD S. BUCHTER 01NOV2006	NAME ATTENUATOR, OPTICAL, BUILD OUT, SM, LC/UPC, BROADBAND, BANDPASS	
0 PLC ± 1 PLC ± 2 PLC ± 3 PLC ± 4 PLC ± ANGLES ± FINISH ±		PRODUCT SPEC 108-2221	RESTRICTED TO	
MATERIAL		APPLICATION SPEC 114-1129	SIZE A2	CAGE CODE 00779
		WEIGHT	DRAWING NO C-1693560	
		CUSTOMER DRAWING	SCALE 3:1	SHEET 1 OF 1
			REV F	